

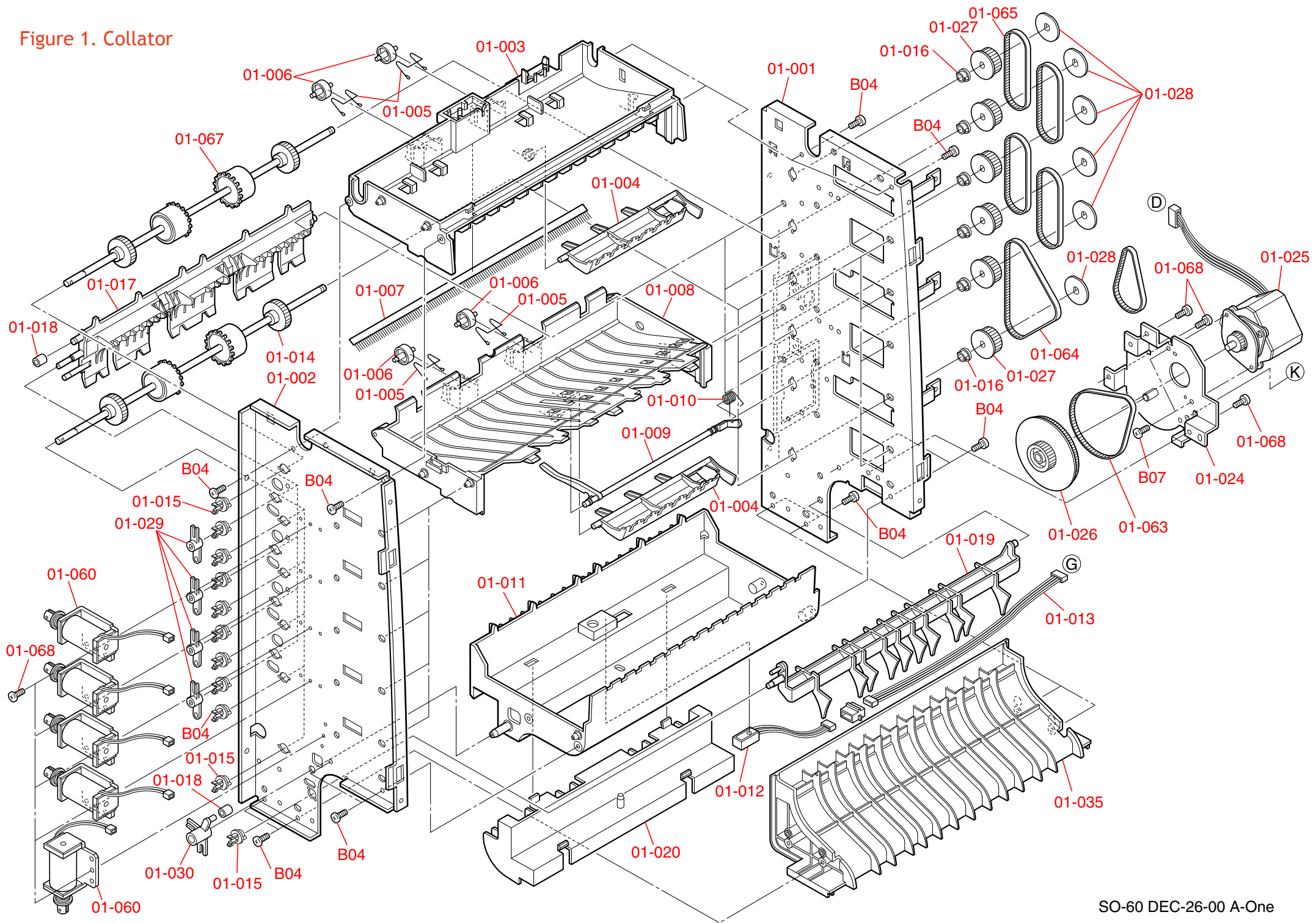


SO-60
Sorter

PARTS LIST

First Edition, Published in January 2001

Figure 1. Collator



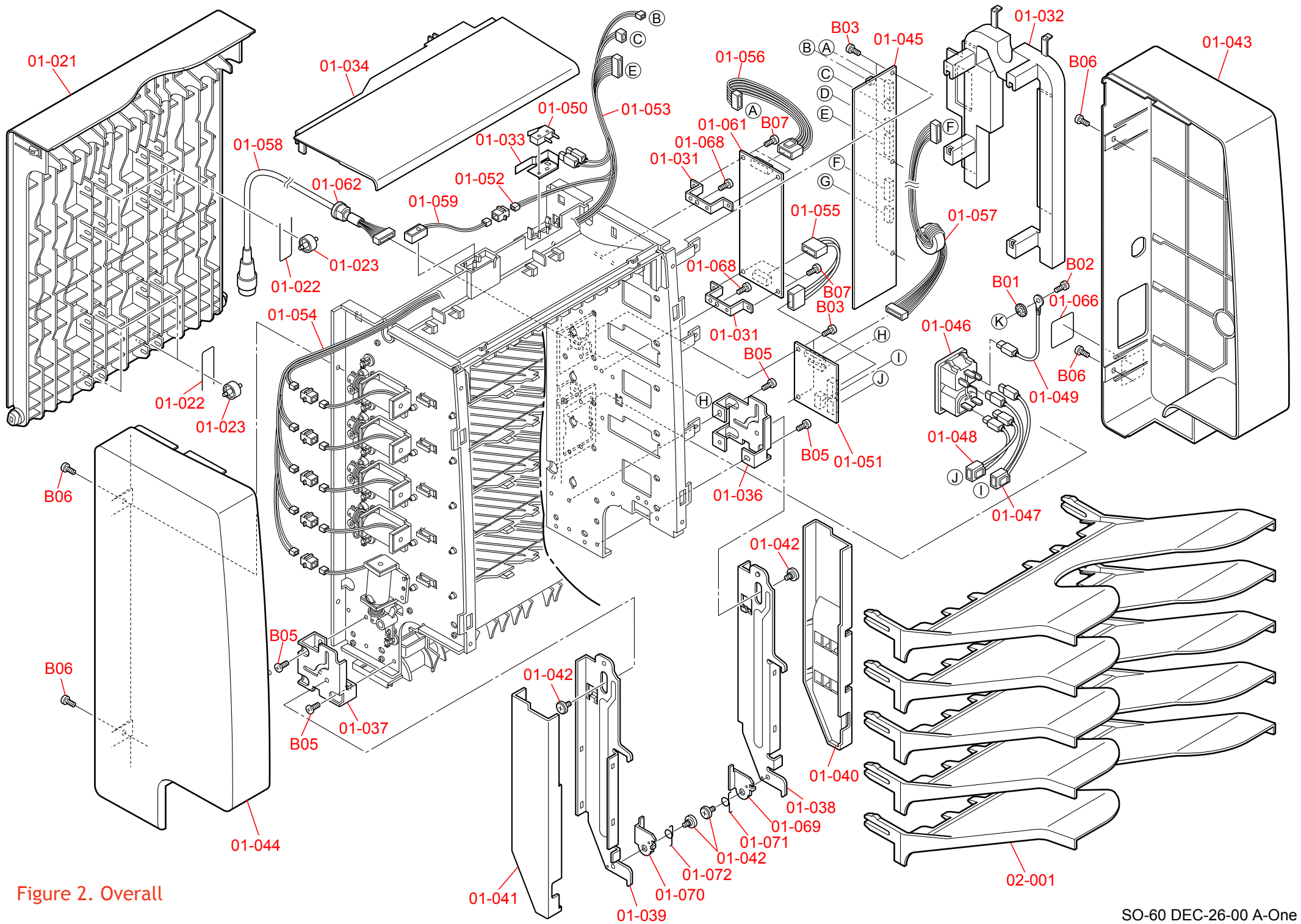


Figure 2. Overall

ISP=Initial Spare Part

SP=Spare Part

Ref.No.	Part Code	Description	ISP	SP	Voltage	
					120V	230V
01-001	5SNSP0013794	FRAME RIGHT	-	-	1	1
01-002	5SNSP0013795	FRAME LEFT	-	-	1	1
01-003	5SNSP0013839	GUIDE TOP	X	X	1	1
01-004	5SNSP0013847	FLAG FULL	-	X	5	5
01-005	5SNSP0013862	SPRING EXIT	-	-	10	10
01-006	5SNSP0013782	ROLLER PINCH EXIT	X	X	10	10
01-007	5SNSP0013861	BRUSH DISCHARGER	-	X	5	5
01-008	5SNSP0013788	TRAY INNER	-	X	5	5
01-009	5SNSP0013790	FLAG EMPTY	-	X	5	5
01-010	5SNSP0013866	SPRING FLAG	-	-	5	5
01-011	5SNSP0013771	COVER LOWER FRONT	-	-	1	1
01-012	5SNSP0013845	SENSOR 2	X	X	1	1
01-013	5SNSP0013857	CONN CORD SENSOR	-	-	1	1
01-014	5SNSP0013780	ROLLER CONVEYING	X	X	5	5
01-015	5SNSP0013783	BUSH 5A	X	X	11	11
01-016	5SNSP0013784	BUSH 5B	X	X	6	6
01-017	5SNSP0013779	DEFLECTOR TRAY	X	X	4	4
01-018	5SNSP0013785	RUBBER SILENCER	X	X	6	6
01-019	5SNSP0013773	FLAPPER GATE	X	X	1	1
01-020	5SNSP0013775	GUIDE LOWER FRONT	-	-	1	1
01-021	5SNSP0013793	COVER REAR	X	X	1	1
01-022	5SNSP0013863	SPRING PINCH	-	-	8	8
01-023	5SNSP0013712	ROLLER PINCH	X	X	8	8
01-024	5SNSP0013781	BKT MOTOR	-	-	1	1
01-025	5SNSP0013806	MOTOR SO	X	X	1	1
01-026	5SNSP0013778	PULLEY GEAR	X	X	1	1
01-027	5SNSP0013777	PULLEY CONVEYING	X	X	6	6
01-028	5SNSP0013786	FLANGE PULLEY	X	X	6	6
01-029	5SNSP0013776	ARM SOLENOID	-	-	4	4
01-030	5SNSP0013774	ARM GATE	-	-	1	1
01-031	5SNSP0013796	BKT POWER SUPPLY	-	-	2	2
01-032	5SNSP0013799	DUCT CABLE R	-	-	1	1
01-033	5SNSP0013865	PLATE PRESS SW	-	-	1	1
01-034	5SNSP0013787	COVER TOP	-	X	1	1

ISP=Initial Spare Part

SP=Spare Part

Ref.No.	Part Code	Description	ISP	SP	Voltage	
					120V	230V
01-035	5SNSP0013772	COVER POWER REAR	X	X	1	1
01-036	5SNSP0013797	BKT ATTACHMENT R	-	-	1	1
01-037	5SNSP0013798	BKT ATTACHMENT L	-	-	1	1
01-038	5SNSP0013801	ATTACHMENT RIGHT	X	X	1	1
01-039	5SNSP0013802	ATTACHMENT LEFT	X	X	1	1
01-040	5SNSP0013800	COVER ATTACHMENT R	X	X	1	1
01-041	5SNSP0013840	COVER ATTACHMENT L	X	X	1	1
01-042	5SNSP0013803	SCREW ATTACHMENT	-	-	4	4
01-043	5SNSP0013791	COVER RIGHT	X	X	1	1
01-044	5SNSP0013792	COVER LEFT	X	X	1	1
01-045	5SNSP0013804	PWB CONTROL ASSY	X	X	1	1
01-046	5SNSP0013846	IN/OUTLET	-	-	1	1
01-047	5SNSP0013850	CONN CORD INLET	-	-	1	1
01-048	5SNSP0013856	CONN CORD OUTLET	-	-	1	1
01-049	5SNSP0013855	CONN CORD GND	-	-	1	1
01-050	5SNSP0013867	SW INTERLOCK	X	X	1	1
01-051	5SNSP0013931	PWB RELAY	-	X	1	1
01-052	5SNSP0013860	CONN CORD SENSOR	-	-	1	1
01-053	5SNSP0013854	CONN CORD INTERLOCK	-	-	1	1
01-054	5SNSP0013853	CONN CORD SOLENOID	-	-	1	1
01-055	5SNSP0013851	CONN CORD P/S IN	-	-	1	1
01-056	5SNSP0013852	CONN CORD P/S OUT	-	-	1	1
01-057	5SNSP0013849	CONN CORD TRANSMIT	-	-	1	1
01-058	5SNSP0013858	CONN CORD CABLE	X	X	1	1
01-059	5SNSP0013844	SENSOR 1	X	X	1	1
01-060	5SNSP0013807	SOLENOID SO	X	X	5	5
01-061	5SNSP0013859	POWER SUPPLY	X	X	1	1
01-062	5SNSP0013838	CORD CLAMP	X	X	1	1
01-063	5SNSP0013841	BELT S2M 200	X	X	1	1
01-064	5SNSP0013842	BELT S2M 220	X	X	1	1
01-065	5SNSP0013843	BELT S2M 158	X	X	4	4
01-066	5SNSP0013938	PLATE VOLTAGE	-	X	1	1
01-067	5SNSP0013937	ROLLER CONVEYING TOP	-	X	1	1
01-068	5SNSP0013918	SCREW RS M3	-	-	10	10

ISP=Initial Spare Part SP=Spare Part

Ref.No.	Part Code	Description	ISP	SP	Voltage	
					120V	230V
01-069	5SNSP0013939	PLATE LOCK R	-	-	1	1
01-070	5SNSP0013940	PLATE LOCK L	-	-	1	1
01-071	5SNSP0013941	SPRING LOCK R	-	-	1	1
01-072	5SNSP0013942	SPRING LOCK L	-	-	1	1
02-001	5SNSP0013789	TRAY SO	-	X	5	5
P-001	5SNSAA64E+02	PACKING ASSY	-	X	1	1
P-002	5SNSP0013809	OUTER CARTON	X	-	1	1
P-003	5SNSP0013870	PAD BOTTOM	X	-	1	1
P-004	5SNSP0013869	PAD TOP	X	-	1	1
P-005	5SNSP0013871	PAD MIDDLE	X	-	1	1
P-006	5SNSP0013868	BASE BOTTOM	X	-	1	1
P-007	5SNSP0013872	POLY BAG SO	X	-	1	1
A-001	5SNSP0013928	CABLE AC RELAY 220V	-	X	-	1
A-001	5SNSAA64U+01	120V CABLE ASSY	-	X	1	-